

Angular Contact Ball Bearings

Bearing No. : **NACHI 7220BDF**

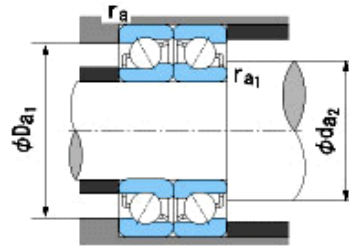
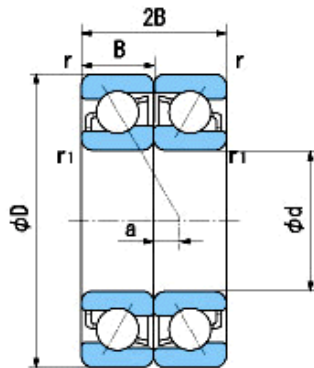
■ Bearing Type

■ Clearance

■ Tolerance Class

Dimensions

d = 100⁰_{-0.020}
 D = 180⁰_{-0.025}
 B = 34⁰_{0.000}
 r = 2.1~4
 (Radial Direction)
 r = 2.1~6.5
 (Axial Direction)
 r1 = 1.1~2
 (Radial Direction)
 r1 = 1.1~3.5
 (Axial Direction)
 a = 41.8



Dimensions

da1(min) = 112
 da2(min) = 107
 Da1(max) = 168
 Da2(max) = 173
 ra(max) = 2
 ra1(max) = 1
 Mass = 6.64 kg

Basic Dynamic Load Rating Cr : **219,000** N

Basic Static Load Rating Cor : **237,000** N

Limiting Speed ;

Grease Lubrication : **2,200** min⁻¹

Oil Lubrication : **3,000** min⁻¹

	INNER RING	OUTER RING
O.D.Surface Runout with Side :		-
Axial Runout with Bore :	-	-
Axial Runout with Raceway :	-	-
Width Variation :	0.025	0.025
Radial Runout :	0.025	0.045